

7540 series Surface mount boxes

No design charges - No tooling

Simply provide your internal dimensions for a free quotation

Product overview

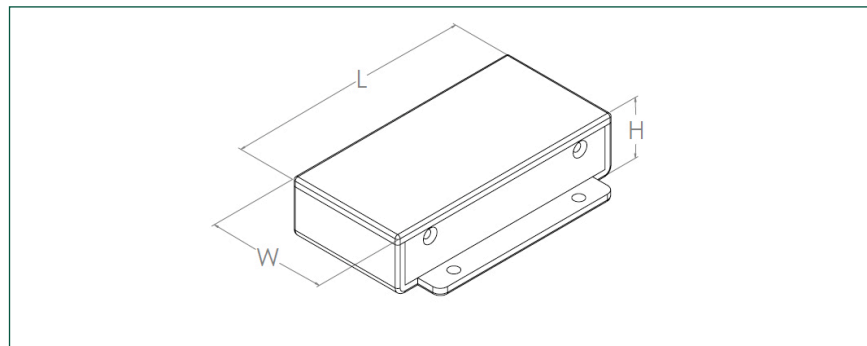
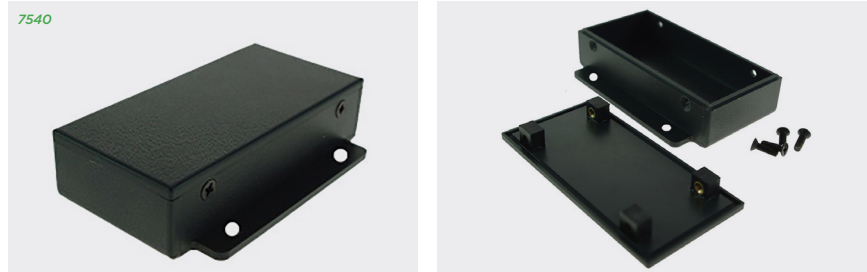
Surface mount boxes manufactured in **custom** sizes to fit your PCB assembly and components.

Features

- Base and lid construction
- Lid secured via (x4) M3 countersink screws
- Manufactured to your custom specifications
- Various material colour and specification options
- Manufactured to order on short lead-times

Options

- Manufactured in either HIPS UL94-HB, ABS acrylic capped or listed ABS UL94-V0
- CNC milling (holes, cut-outs, vents, pockets, pillars, windows)
- Screen printing/membranes/overlays



PART NO.	LENGTH (INT)	WIDTH (INT)	HEIGHT (INT)	LENGTH (EXT)	WIDTH (EXT)	HEIGHT (EXT)
7541	80mm	36mm	15mm	86mm	42mm	21mm
7542	90mm	90mm	20mm	96mm	96mm	26mm
7543	100mm	100mm	45mm	106mm	106mm	51mm
7544	175mm	105mm	65mm	181mm	111mm	71mm
7545	195mm	145mm	50mm	201mm	151mm	56mm
Custom size	Please advise dimensions					

Available in a range of colours:



KEY FEATURES

Screw secure lid | Base and lid construction | Surface mount tabs

